

By EFTCG

NORDIC C E I L I N G N O R D I C

NORDIC PREMIUM METAL CEILINGS PANEL F SYSTEM DATASHEET

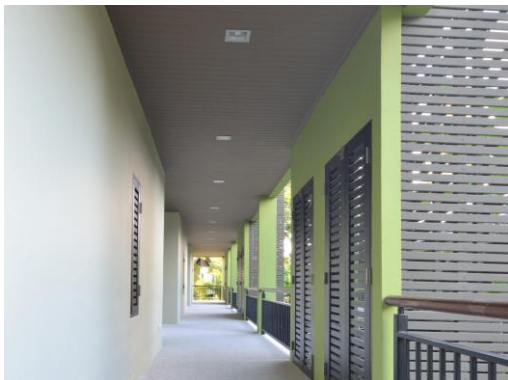
Technical Info:

Product	: aluminium or galvanised steel
Module	: 200 F
Thickness	: 0.50 - 0.70 mm
Surface	: electrostatic powder coated
Perforation	: none or \varnothing 1.8-2.5mm hole diameter
Suspension sys	: main carrier profile
Fire Resistance	: class A as steel
Color	: RAL 9016 - standard white or desired RAL colors

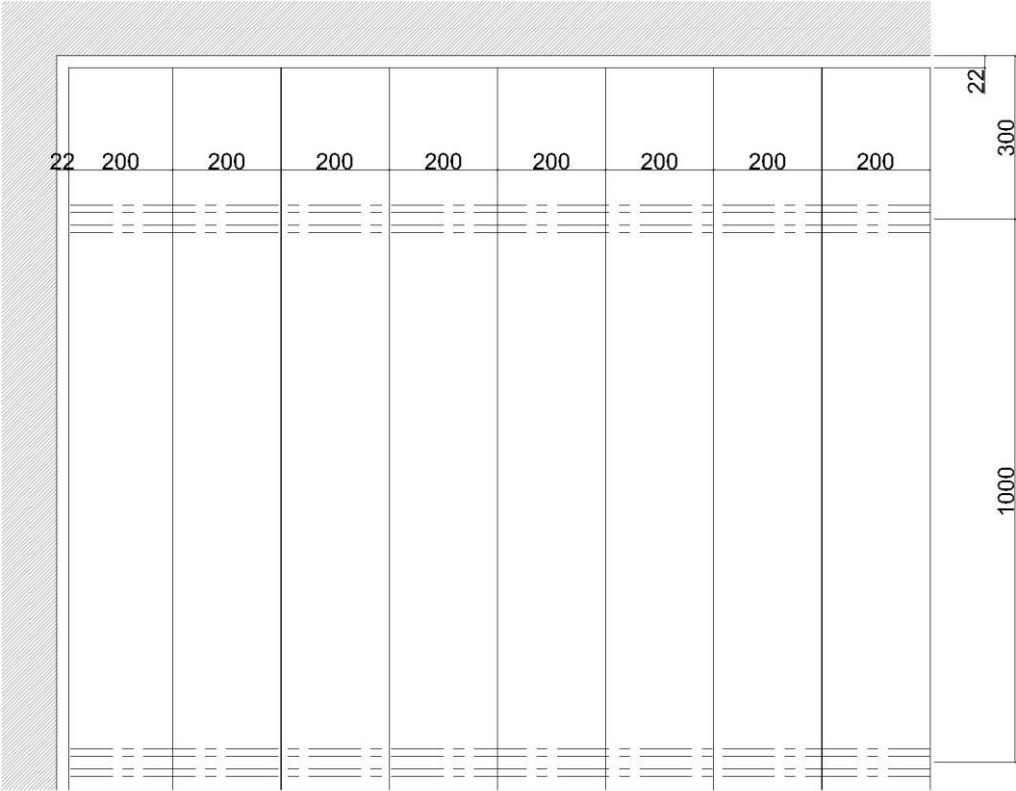
Specification:

The linear closed – locked system. Panels are overlapped and mounted onto the main runner or can be screwed to the structure behind. Suitable for exterior applications. Resistant to the wind load. Ideal for use under the canopies.

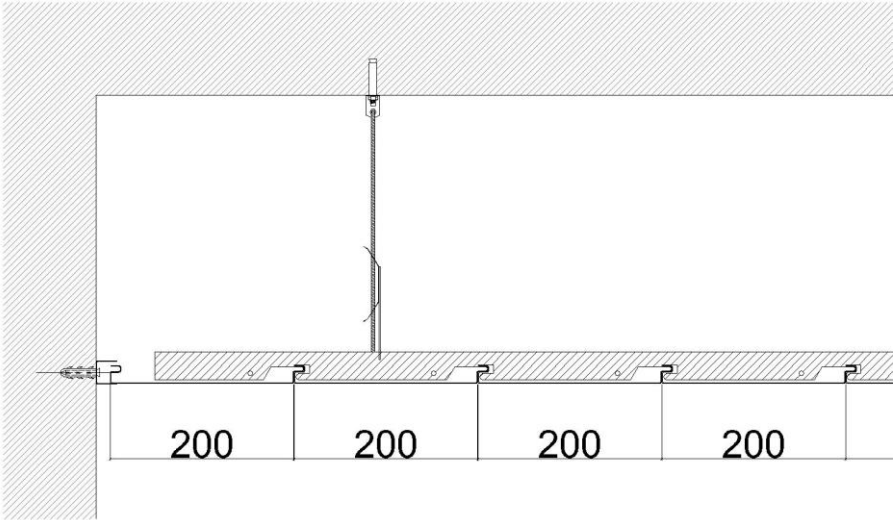
VISUAL



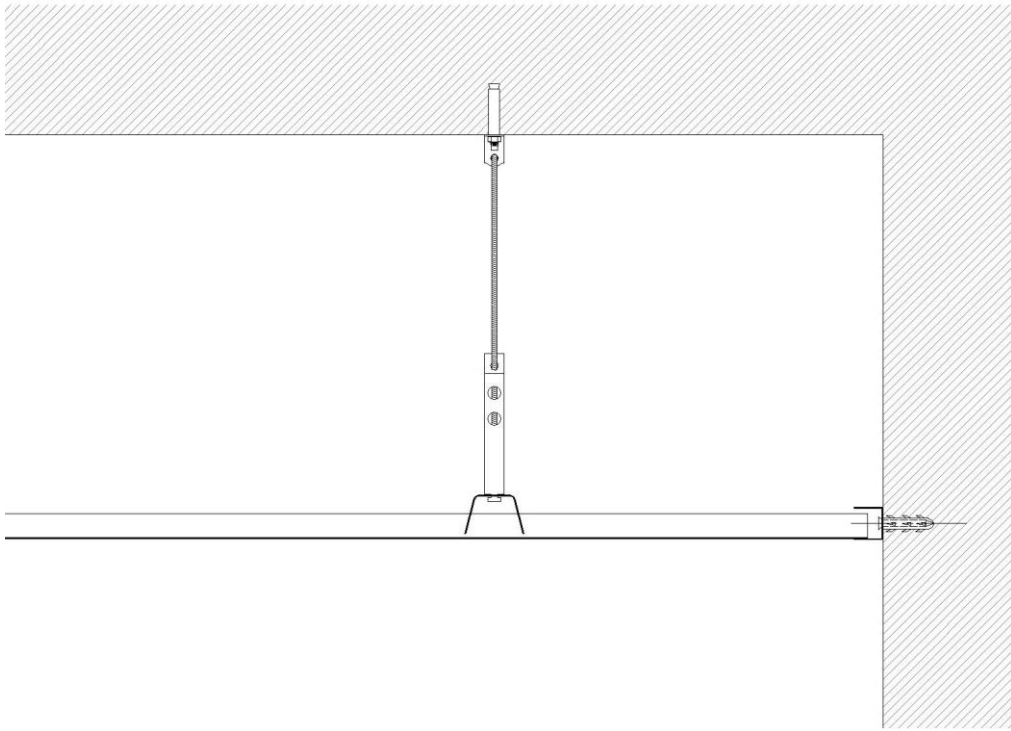
TECHNICAL DRAWING



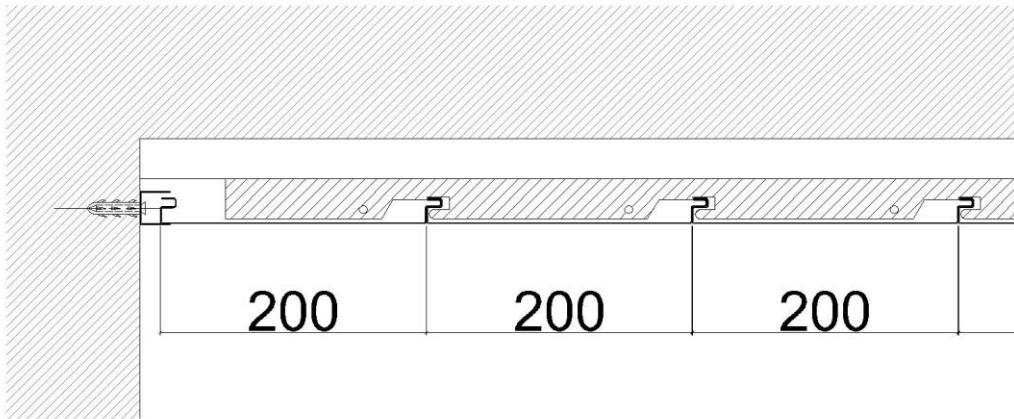
PLAN



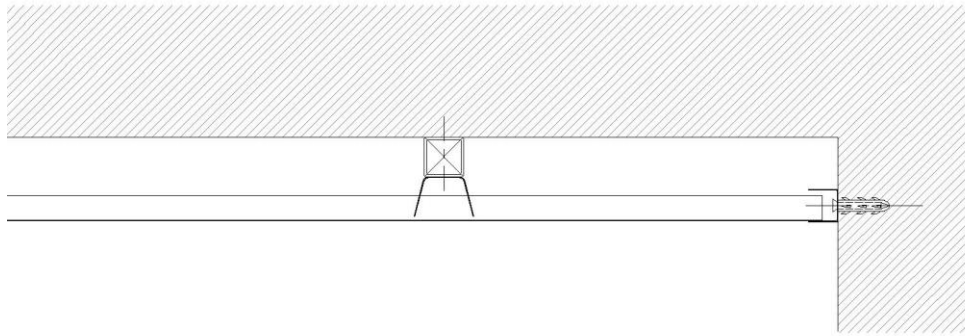
SECTION A



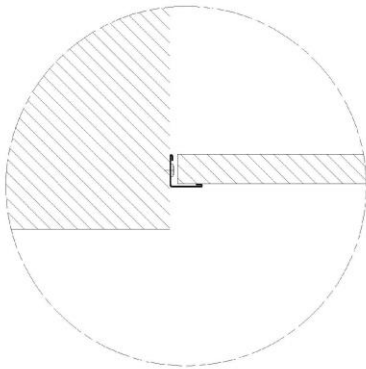
SECTION B



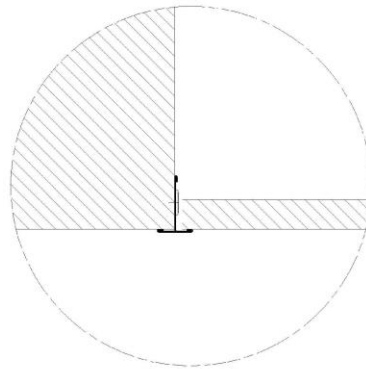
SECTION C (installing with steel box profile)



SECTION D (installing with steel box profile)



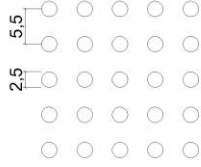
'L' Wall-perimeter Trim



'T' Wall-perimeter Trim

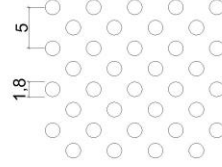
PERFORATIONS

full 2.5 mm perf.



Hole Diameter : \varnothing 2.5 mm.
Axis (center to center) : 5.5 mm. , 90°
Perforation : Regular

full diagonal 1.8 mm perf.



Hole Diameter : \varnothing 1.8 mm.
Axis (center to center) : 5 mm. , 45°
Perforation : Diagonal

